

LEGEND

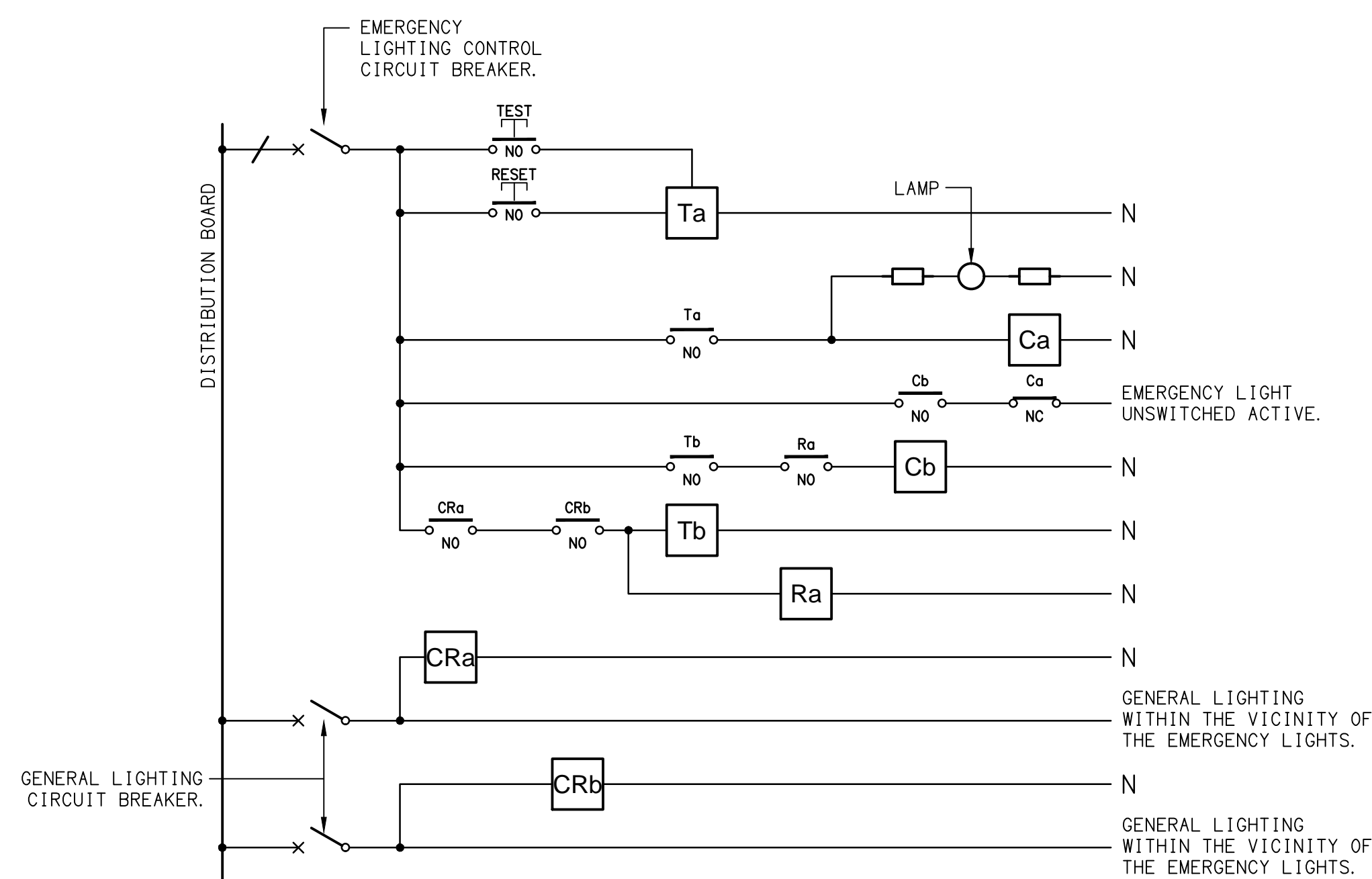
- ELECTRICAL SERVICES SWITCHBOARD.
- SWITCHBOARD / CONTROL PANEL NOT PROVIDED AS PART OF THE ELECTRICAL SUBCONTRACT.
- SINGLE POWER OUTLET.
- DOUBLE POWER OUTLET.
- SPECIAL PURPOSE POWER OUTLET.
- SIGNAGE CONNECTION.
- SINGLE PHASE ISOLATOR.
- THREE PHASE ISOLATOR.
- CONDUIT ROUTE.
- ONE-WAY LIGHT SWITCH.
- TWO-WAY LIGHT SWITCH.
- MANUAL DALI DIMMER.
- CIRCUIT LINE.
- SWITCH LINE.
- POWER CIRCUIT DESIGNATION. DENOTES DB AND CIRCUIT.
- LIGHTING CONTROL CHANNEL REFERENCE.
- ELECTRICAL EQUIPMENT AS NOTED.
- RJ45 COMMUNICATIONS OUTLET.
- HDMI OUTLET.
- FIRE EVACUATION SPEAKER.
- FIRE STROBE VISUAL INDICATOR.
- FIRE INDICATOR PANEL.
- FIRE DOOR INTERFACE.
- SMOKE DETECTOR.
- FUSE.
- SINGLE PHASE.
- THREE PHASE.
- CURRENT TRANSFORMER C/W REMOVABLE LINK.
- FUSE LINK.
- COMBINED FUSE SWITCH.
- CIRCUIT BREAKER.
- ISOLATOR.
- RESIDUAL CURRENT DEVICE.
- CONTACTOR - NORMALLY OPEN.
- CONTACTOR - NORMALLY CLOSED.
- REFER TO DETAIL NOTED FOR THE AREA SHOWN HATCHED. ADDITIONAL OUTLETS & FITTINGS MAY BE SHOWN ON DETAIL.

LEGEND

- E1: GENERAL LED EMERGENCY LIGHT.
- EX: EMERGENCY LED EXIT LIGHT.
- Lx: LIGHT FITTING C/W NON-MAINTAINED EMERGENCY BATTERY PACK. TYPE AS NOTED.
- L1: RECESSED DOWNLIGHT.
- L2: RECESSED ADJUSTABLE DOWNLIGHT.
- L3: RECESSED DOWNLIGHT.
- L4: RECESSED ADJUSTABLE DOWNLIGHT.
- L5: RECESSED DOWNLIGHT.
- L6: RECESSED DOWNLIGHT.
- L7: RECESSED DOWNLIGHT.
- L8: EXTERNAL ADJUSTABLE FLOOD LIGHT.
- L9: NO LONGER REQUIRED.
- L10: RGB LED STRIP LIGHT WITHIN BULKHEAD.
- L11: FLEXIBLE LED ROPE LIGHT WITHIN SERVERY COUNTER.
- L12: RGB LED STRIP LIGHT WITHIN PLANTER.
- L13: RECESSED DOWNLIGHT BETWEEN TIMBER BLADES.
- L14: 2400 LONG LINEAR PENDANT.
- L15: RECESSED DOWNLIGHT.
- BL: RGB LED BACK LIGHT.
- CL1: DECORATIVE CEILING SPHERE PENDANT.
- PL1x: DECORATIVE SUSPENDED SPHERE PENDANT, TYPE AS NOTED.
- PL2x: NO LONGER REQUIRED.
- PL3: PENDANT ROPE LIGHT CENTRED OVER POOL TABLE.
- WL1: DECORATIVE WALL LIGHT.
- H1: STRIP HEATER.
- H2: PENDANT HEATER.
- H3: EXISTING EXTERNAL HEATER TO REMAIN.
- H4: EXISTING EXTERNAL HEATER TO BE RELOCATED TO THE H5 POSITION.
- H5: EXISTING RELOCATED EXTERNAL HEATER.

EQUIPMENT:

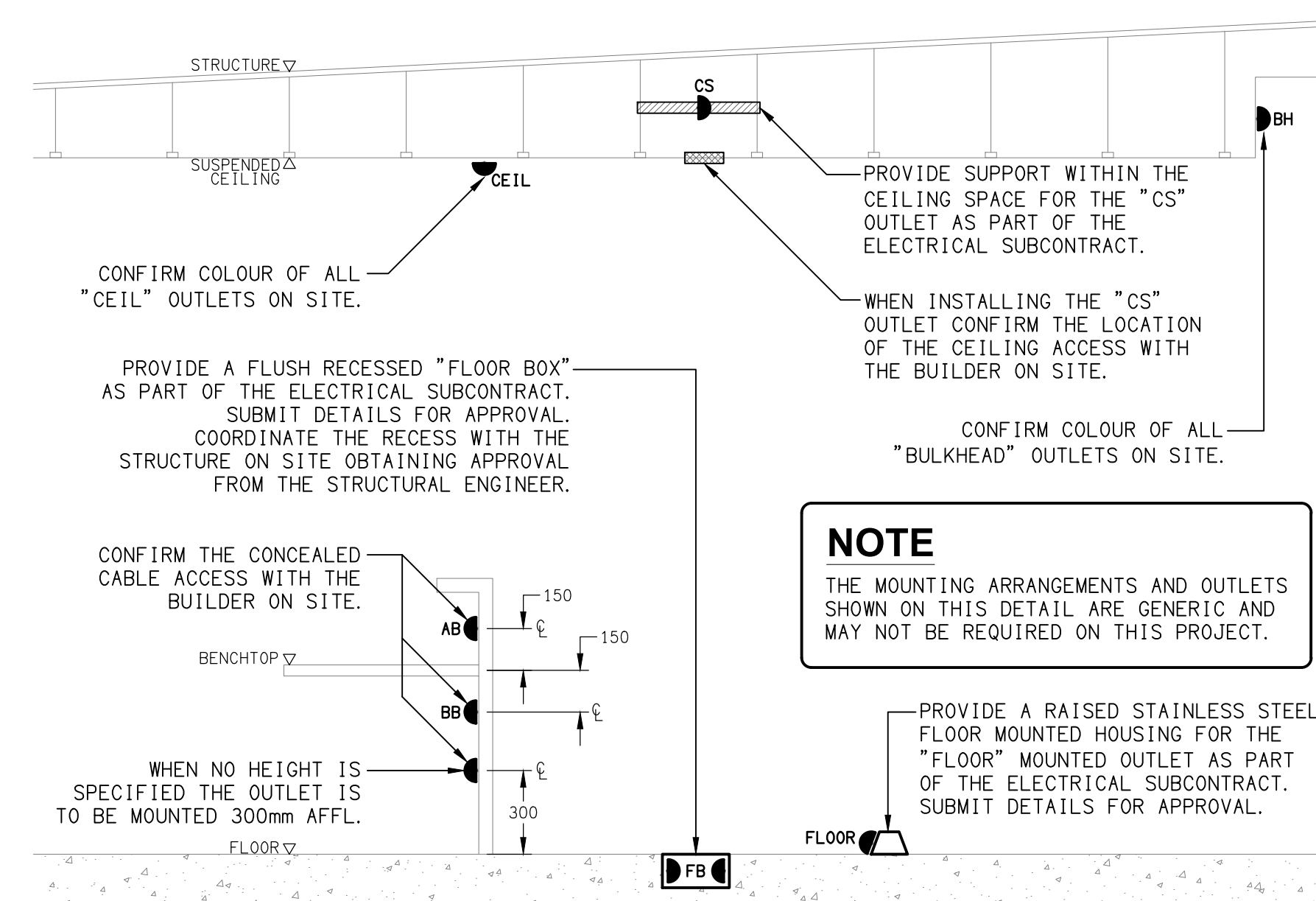
- TEST - TEST PUSH BUTTON MOUNTED ON THE DISTRIBUTION BOARD ESCUTCHEON.
- RESET - RESET PUSH BUTTON MOUNTED ON THE DISTRIBUTION BOARD ESCUTCHEON.
- LAMP - AMBER TEST INDICATING LAMP MOUNTED ON THE DISTRIBUTION BOARD ESCUTCHEON.
- Ta - ADJUSTABLE 0-3 HOUR TIMED RELAY.
- Tb - 15 MINUTE RUN-ON TIMER TO OPERATE UPON THE RETURN OF MAINS POWER.
- Cx - CONTACTOR x.
- CRx - CONTROL RELAY x.
- Rx - RELAY x.



NOTES

1. THE EMERGENCY LIGHT UNSWITCHED ACTIVE / GENERAL LIGHTING SWITCHED ACTIVE CIRCUIT ARRANGEMENT AND CONTROL IS TYPICAL FOR ALL CIRCUITS SUPPLYING EMERGENCY LIGHTS.
2. PROVIDE ADDITIONAL CONTROL RELAYS (CRx) CONFIGURED AS PER CRa AND CRb FOR ALL ADDITIONAL LIGHTING CIRCUITS THAT SUPPLY LIGHTS IN THE VICINITY OF THE EMERGENCY LIGHTS.

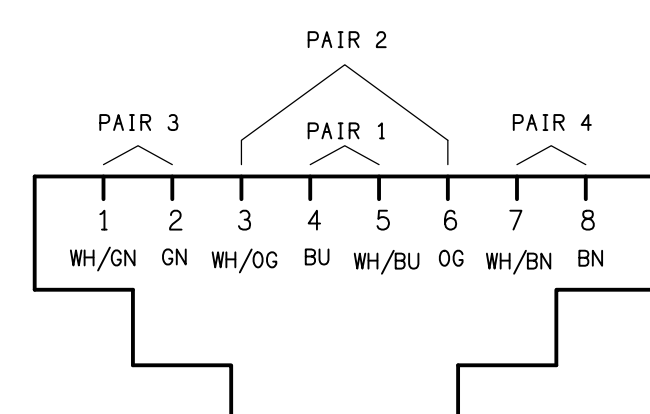
SCHEMATIC
EMERGENCY LIGHTING
NOT TO SCALE



DETAIL
TYPICAL OUTLET MOUNTINGS
NOT TO SCALE

NOTE

ALL ELECTRICAL PENETRATIONS THROUGH THE ROOF SHEETING ARE TO BE IN LINE WITH THE STRUCTURAL OR MECHANICAL SERVICES PENETRATIONS TO AVOID DEDICATED FLASHINGS FOR THE ELECTRICAL SERVICES.



SCHEMATIC
RJ45 PINOUT CONFIGURATION
NOT TO SCALE

C	CONSTRUCTION	18/04/2024
REV:	DESCRIPTION:	DATE:

ELECTRICAL DESIGN GROUP
ELECTRICAL BUILDING SERVICES CONSULTANTS

BRISBANE: P.O. Box 15 Sherwood Qld 4075
Phone: (07) 3278 4375
Email: brisbane@edg.net.au
Web: www.edg.net.au

ELECTRICAL DESIGN GROUP BRISBANE PTY LTD
ACN 092 710 793

TRADING AS:
ELECTRICAL DESIGN GROUP

PROJECT:

BLUE FIN FISHING CLUB
INALA - ALTERATIONS

SITE ADDRESS:
24 LILAC STREET, INALA
QUEENSLAND

SCALE: SHEET SIZE:

NOT TO SCALE AT A1

DRAWING TITLE:

ELECTRICAL SERVICES
LEGEND, SCHEMATICS
& DETAILS

PROJECT NO: DRAWING NO: REVISION:

C2969a E01 C